

Part number

CHCR 16



Brief description:

covers, size "77.27" 180 °C version, 180 °C version, IP65

Product description

Version	180 °C version
Series	covers with pegs
Product type	with 4 pegs
Family	CLASS enclosures
Size	size "77.27", covers

Technical data

Operating temperature range (min, max)	-40°C ... +180°C
Material	metal
IP degree of protection	IP65

Further technical details

Weight	67,00 g
--------	---------

Approvals / Standards

Quality mark	 (type:4/4X/12),  , EAC
Conformity	CQC, CE

General ordering information

EAN13 code	8015747016711
Tariff number	85369095

Packaging Information

Packaging length	210,00 mm
Packaging height	130,00 mm
Packaging width	240,00 mm
Packaging weight	1,34 kg
Packaging volume	6,55 dm ³
Packaging description	Carton box
Packaging quantity	20 Pcs
Packaging EAN code	8015747192286
Sub-packaging weight	0,07 kg
Sub-packaging description	Plastic bag
Sub-packaging quantity	1 Pcs
Sub-packaging EAN barcode	8015747192293

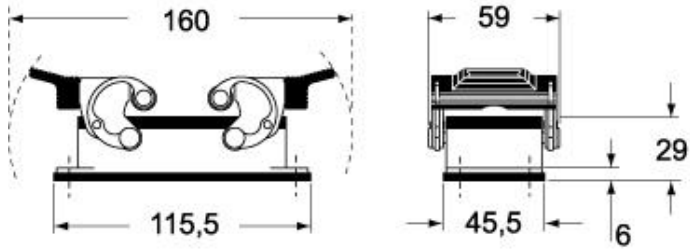
Part number

CHCR 16

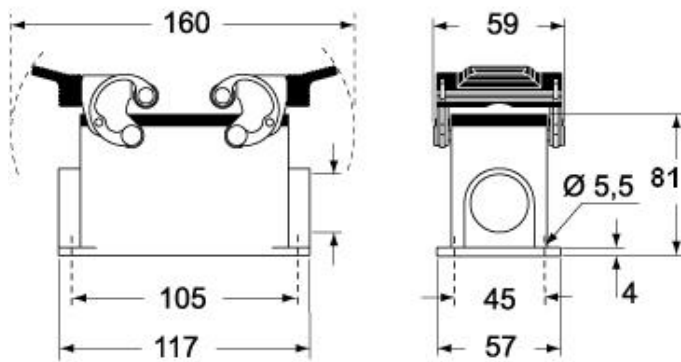


Catalogue drawings

CHIR



CAPR - MAPR



CHCR

